

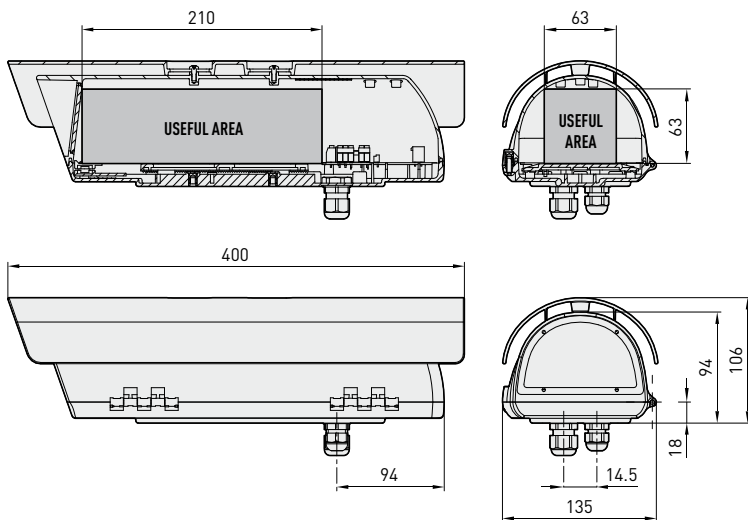
Innovative and stylish housing, designed to simplify installation and servicing, **VERSO COMPACT** ensures total protection against all environmental conditions for standard cameras and small compact zoom lenses. Due to opening from its side, accessibility to the camera, lens, and all its connections is made far easier. Entirely made with the newest, most resistant, technopolymer, **VERSO COMPACT** guarantees high impact resistance, high weather protection from external agents and UV rays.

Its weatherproof features are ensured by neoprene-rubber gaskets and 2 cable glands with their specific gaskets.

**VERSO COMPACT** offers the possibility of various mountings, either wall or top mount, standard or cable management bracket, and on a Pan & Tilt head.

A wide range of accessories is available, including: sunshield, heater kit, camera power supply and heater-fan assistant. The accessories are supplied factory installed or as a simple upgrade kit.

- Indoor / Outdoor
- Entirely made of technopolymer (polycarbonate)
- Side opening, easy camera servicing
- Weatherproof standard IP66/IP67 (with cable glands or optional sealing rings)
- Vandal-proof protection (IK10 impact resistance)
- Different mounting options: standard bracket or cable management bracket or P&T
- Patented



The values are in millimeters.

# VERSO COMPACT

## COMPACT MODEL



CAMERA HOUSINGS

### TECHNICAL DATA

#### VERSO COMPACT

Model	Sunshield	Heater 115/230Vac	Heater 12Vdc/24Vac	Fan assisted heater 24Vac	Max consumption
HPV36D0A000B					
HPV36K0A000B	•				
HPV36K1A000B	•	•			40W
HPV36K2A000B	•		•		20W
HPV36K2A015B	•			•	24W

#### GENERAL

Entirely made of technopolymer (polycarbonate)  
 Sunshield in ABS  
 RAL9002 Colour  
 Stainless steel external screws  
 Supplied with instruction manual, desiccant bag, accessories for camera and lens mounting

#### MECHANICAL

2xM16 cable glands  
 Polycarbonate window (BxH): 98x55mm (3.9x2.2in)  
 Internal usable area (BxH): 63x63mm (2.5x2.5in)  
 Internal usable length with and without accessories: 210mm (8.3in)

#### ELECTRICAL

**Heater Ton 15°C+/-3°C (59°F +/-5°F) Toff 22°C+/-3°C (71°F +/-5°F)**

- IN 12Vdc/24Vac, consumption 20W max
- IN 115/230Vac, consumption 40W max

#### Heater fan assistant, continuous duty

- IN 12Vdc, consumption 4W max
- IN 24Vac, consumption 4W max
- IN 100-240Vac, consumption 4W max, with wide range power supply IN 100-240Vac/12Vdc

#### Camera power supply

- IN 100-240Vac - OUT 12Vdc, 50/60 Hz, 1A
- IN 230Vac - OUT 24Vac, 50 Hz, 400mA

#### ACCESSORIES

OHPVS36A000B	Sunshield
OHEH26	Heater 115/230Vac
OHEH27	Heater 12Vdc/24Vac
OHPVV1	Heater fan assistant, continuous duty, IN 12Vdc

OHPVV2	Heater fan assistant, continuous duty, IN 24Vac
OHPVV3	Heater fan assistant, continuous duty, IN 100/240Vac
OHEPS19B	Wide range camera power supply IN 100-240Vac - OUT 12Vdc
OHEPS20	Camera power supply IN 230Vac - OUT 24Vac
OHPVIRA	Bracket for mounting 1 infrared illuminator
OHEGBB	Weatherproof junction box, IP55

#### RELATED PRODUCTS

WBJA	Wall bracket with ball joint
WBMA	Wall bracket with ball joint
WBOVA2	Wall bracket with internal cable channel
WBOV3A2	Wall bracket with internal cable channel, support plate and integrated junction box
WCM3A	Ceiling bracket with ball joint
WCM5A	Ceiling bracket with ball joint
WCM4A2	Ceiling bracket with internal cable channel
WFWCA	Column mount with ball joint
OWBIP1	Kit special gasket to allow protection IP66/IP67 for WBOVA2 and WCM4A2
PTH300	Pan&Tilt series

#### ENVIRONMENT

Indoor / Outdoor  
 Operating temperature with heater: -20°C / +50°C (-4°F / +122°F)  
 Very good resistance to the following chemical agents: basics, alcohols, gasses, hydrocarbon  
 Good resistance: organic and inorganic acids, oils  
 Low resistance: solvents

#### COMPLIANCE TO

CE according to EN61000-6-3, EN 60065, EN50130-4  
 IP66/IP67 according to EN 60529 with cable glands  
 IP66/IP67 according to EN 60529 with special gasket and bracket with internal cable channel  
 IP54 according to EN 60529 with bracket with internal cable channel  
 V1 fire-self extinguish compliance according to UL94  
 Impact resistance IK10 according to EN 50102

#### SPARE PARTS LIST

DOTHPV02	Cable glands, screws and spacers for camera and lens kit
OHPV36CS04	Complete upper body



**Unit Weight:**  
HPV36K1 1.1kg / 2.4lb

**Package Weight:**  
HPV36K1 1.4kg / 3lb

**Package Dimension (BxHxL):**  
HPV36K1 15.5x14x43cm / 6.1x5.5x16.9in

**Master Carton:**  
HPV36K1 10 units